

8

7

6

5

4

3

2

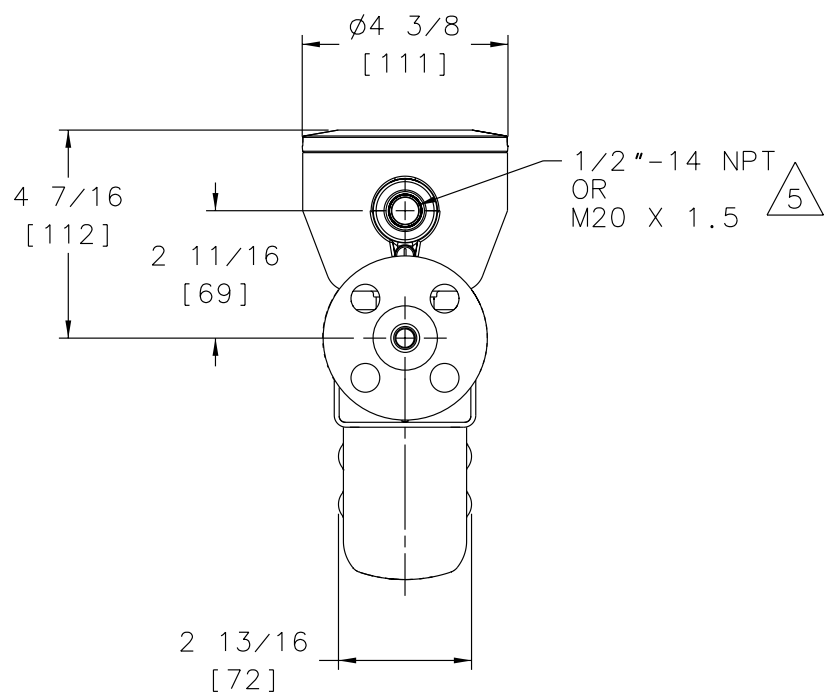
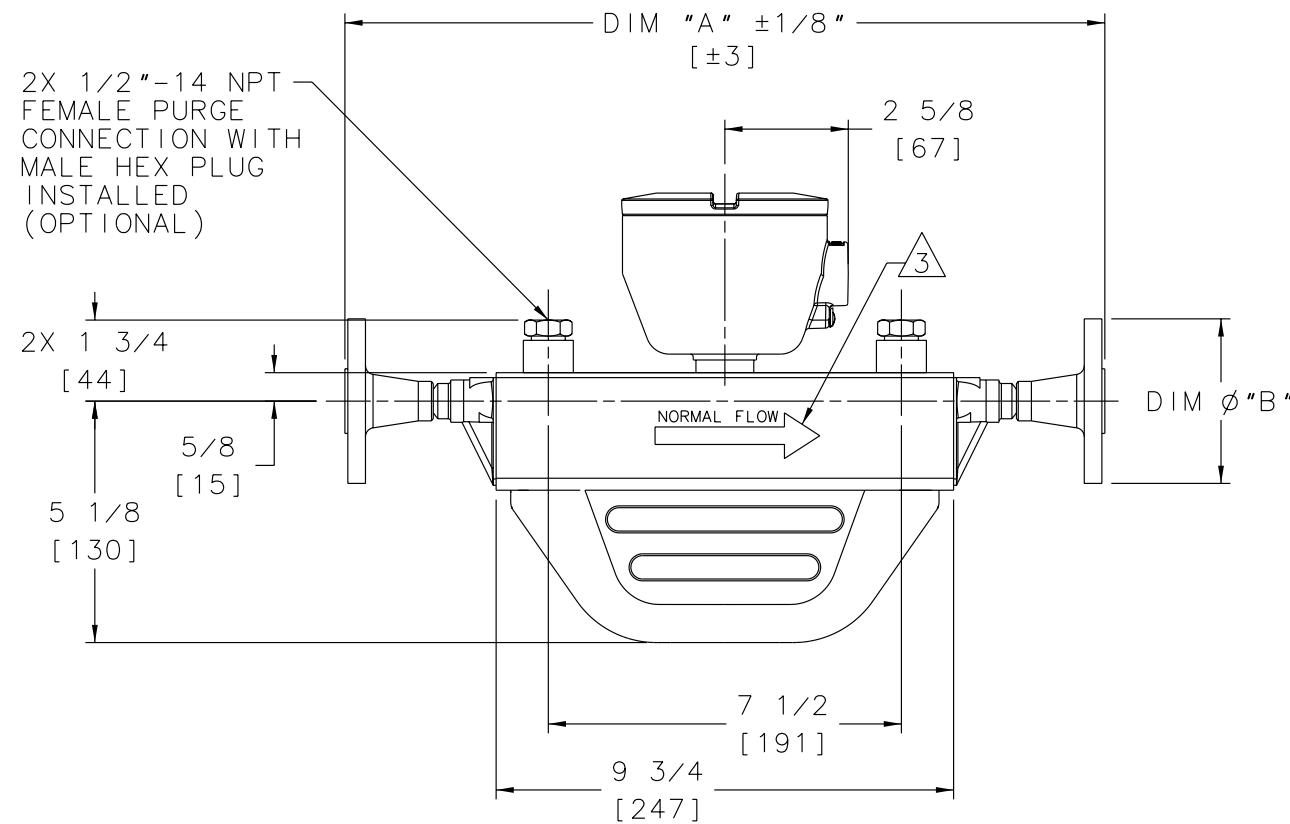
1

GENERAL NOTES (UNLESS OTHERWISE SPECIFIED)

1

PROCESS CONNECTION	DIM "A"	DIM $\phi$ "B"	SENSOR WEIGHT	SHIPPING WEIGHT
ANSI 150# 1/2"	16 [406]	$\phi$ 3 1/2 [89]	15 LBS [7 Kg]	23 LBS [11 Kg]
ANSI 300# 1/2"	16 3/8 [416]	$\phi$ 3 3/4 [95]	16 LBS [8 Kg]	24 LBS [11 Kg]
ANSI 600# 1/2"	16 7/8 [429]	$\phi$ 3 3/4 [95]	17 LBS [8 Kg]	25 LBS [11 Kg]

- 1 PROCESS CONNECTION:  
ASME/ANSI B16.5 WELD NECK RAISED FACE FLANGE.  
FLANGE MEETS MULTIPLE MATERIAL GRADE SPECIFICATIONS.  
MECHANICAL PROPERTIES: 316 STAINLESS STEEL  
CHEMICAL PROPERTIES: 316L STAINLESS STEEL
- 2. MATERIALS OF SENSOR CONSTRUCTION:  
WETTED MATERIALS: STAINLESS STEEL 316L / CF-3M  
SENSOR CASE MATERIAL: STAINLESS STEEL 304  
WIRING JUNCTION BOX: STAINLESS STEEL CF-3M
- 3 THE ARROW INDICATES NORMAL FLOW DIRECTION.  
THE SENSOR CAN BE INSTALLED IN NORMAL (FORWARD) FLOW,  
REVERSE FLOW, OR BI-DIRECTIONAL FLOW DIRECTION.  
DESIRED FLOW DIRECTION SHOULD BE SET IN TRANSMITTER CONFIGURATION.
- 4. DIMENSIONS ARE IN INCHES [MM]. METRIC UNITS ARE FOR REFERENCE;  
DO NOT CONVERT.
- 5 HOUSING ALLOWS FOR 360° ROTATION FOR ORIENTATION OF  
WIRING ENTRANCE.



		MICRO MOTION, INC. BOULDER, COLORADO			
		DIM DWG, F025 ANSI CORE			
THIRD ANGLE PROJECTION	NAME	DATE	SIZE	DWG. NO.	REV.
DRAWN	LLR	8/19/03	D	EP-20001420	A
CHKD.	JLA	8/25/03	SCALE 1:2	DO NOT SCALE DRAWING	SHEET 1 OF 1
APVD.	JLA	8/25/03			

COPYRIGHT 2003 MICRO MOTION, INC. ALL RIGHTS RESERVED

8

7

6

5

4

3

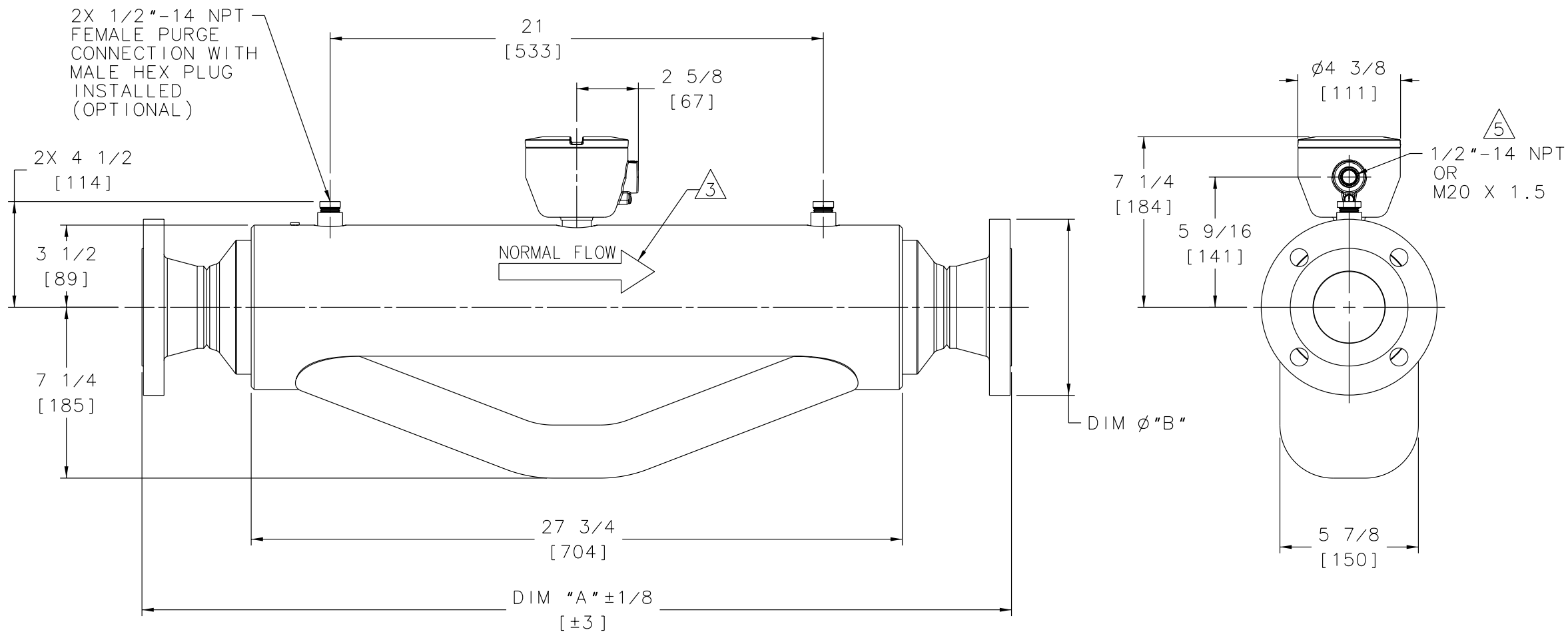
2

1

GENERAL NOTES (UNLESS OTHERWISE SPECIFIED)

- 1 PROCESS CONNECTION:  
ASME/ANSI B16.5 WELD NECK RAISED FACE FLANGE.  
FLANGE MEETS MULTIPLE MATERIAL GRADE SPECIFICATIONS.  
MECHANICAL PROPERTIES: 316 STAINLESS STEEL  
CHEMICAL PROPERTIES: 316L STAINLESS STEEL
- 2. MATERIALS OF SENSOR CONSTRUCTION:  
WETTED MATERIALS: STAINLESS STEEL 316L / CF-3M  
SENSOR CASE MATERIAL: STAINLESS STEEL 304  
WIRING JUNCTION BOX: STAINLESS STEEL CF-3M
- 3 THE ARROW INDICATES NORMAL FLOW DIRECTION.  
THE SENSOR CAN BE INSTALLED IN NORMAL (FORWARD) FLOW,  
REVERSE FLOW, OR BI-DIRECTIONAL FLOW DIRECTION.  
DESIRED FLOW DIRECTION SHOULD BE SET IN TRANSMITTER CONFIGURATION.
- 4. DIMENSIONS ARE IN INCHES [MM]. METRIC UNITS ARE FOR REFERENCE;  
DO NOT CONVERT.
- 5 HOUSING ALLOWS FOR 360° ROTATION FOR ORIENTATION OF WIRING ENTRANCE.
- 6 THIS FLANGE SIZE HAS 8 BOLT HOLES, NOT 4 AS SHOWN.

PROCESS CONNECTION	DIM "A"	DIM $\phi$ "B"	SENSOR WEIGHT	SHIPPING WEIGHT
ANSI 150# 3"	36 13/16 [935]	$\phi$ 7 1/2 [191]	160 LBS [73 Kg]	191 LBS [87 Kg]
ANSI 300# 3"	37 9/16 [954]	$\phi$ 8 1/4 [210]	168 LBS [76 Kg]	199 LBS [91 Kg]
ANSI 600# 3"	38 5/16 [974]	$\phi$ 8 1/4 [210]	175 LBS [80 Kg]	206 LBS [94 Kg]
ANSI 150# 4"	37 3/16 [945]	$\phi$ 9 [229]	165 LBS [75 Kg]	197 LBS [89 Kg]
ANSI 300# 4"	38 1/8 [969]	$\phi$ 10 [254]	185 LBS [84 Kg]	216 LBS [98 Kg]
ANSI 600# 4"	39 13/16 [1012]	$\phi$ 10 3/4 [273]	213 LBS [97 Kg]	244 LBS [111 Kg]



		MICRO MOTION, INC. BOULDER, COLORADO	
		DIM DWG, F300 ANSI CORE	
THIRD ANGLE PROJECTION	NAME	DATE	SIZE
DRAWN	LLR	2/20/04	DWG. NO.
CHKD.	JLA	4/22/04	D
APVD.	JLA	4/22/04	SCALE 3:8
COPYRIGHT 2004 MICRO MOTION, INC. ALL RIGHTS RESERVED		DO NOT SCALE DRAWING SHEET 1 OF 1	

8

7

6

5

4

3

2

1

GENERAL NOTES (UNLESS OTHERWISE SPECIFIED)

- ① PROCESS CONNECTION:  
ASME/ANSI B16.5 WELD NECK RAISED FACE FLANGE.  
FLANGE MEETS MULTIPLE MATERIAL GRADE SPECIFICATIONS.  
MECHANICAL PROPERTIES: 316 STAINLESS STEEL  
CHEMICAL PROPERTIES: 316L STAINLESS STEEL
- 2. MATERIALS OF SENSOR CONSTRUCTION:  
WETTED MATERIALS: STAINLESS STEEL 316L / CF-3M  
SENSOR CASE MATERIAL: STAINLESS STEEL 304  
WIRING JUNCTION BOX: STAINLESS STEEL CF-3M
- ③ THE ARROW INDICATES NORMAL FLOW DIRECTION.  
THE SENSOR CAN BE INSTALLED IN NORMAL (FORWARD) FLOW,  
REVERSE FLOW OR BI-DIRECTIONAL FLOW DIRECTION.  
DESIRED FLOW DIRECTION SHOULD BE SET IN TRANSMITTER CONFIGURATION.
- 4. DIMENSIONS ARE IN INCHES [MM]. METRIC  
UNITS ARE FOR REFERENCE; DO NOT CONVERT.
- ⑤ HOUSING ALLOWS FOR 360° ROTATION FOR  
ORIENTATION OF WIRING ENTRANCE.

PROCESS CONNECTION	DIM "A"	DIM $\phi$ "B"	SENSOR WEIGHT	SHIPPING WEIGHT
ANSI 150# 1 1/2"	24 3/4 [629]	$\phi$ 5 [127]	47 LBS [22 Kg]	58 LBS [27 Kg]
ANSI 300# 1 1/2"	25 1/4 [642]	$\phi$ 6 1/8 [155]	53 LBS [24 Kg]	64 LBS [29 Kg]
ANSI 600# 1 1/2"	25 3/4 [654]	$\phi$ 6 1/8 [155]	56 LBS [25 Kg]	67 LBS [30 Kg]
ANSI 150# 2"	24 7/8 [632]	$\phi$ 6 [152]	51 LBS [23 Kg]	62 LBS [28 Kg]
ANSI 300# 2"	25 3/8 [645]	$\phi$ 6 1/2 [165]	55 LBS [25 Kg]	66 LBS [30 Kg]
ANSI 600# 2"	26 1/8 [664]	$\phi$ 6 1/2 [165]	58 LBS [27 Kg]	69 LBS [32 Kg]

D

D

C

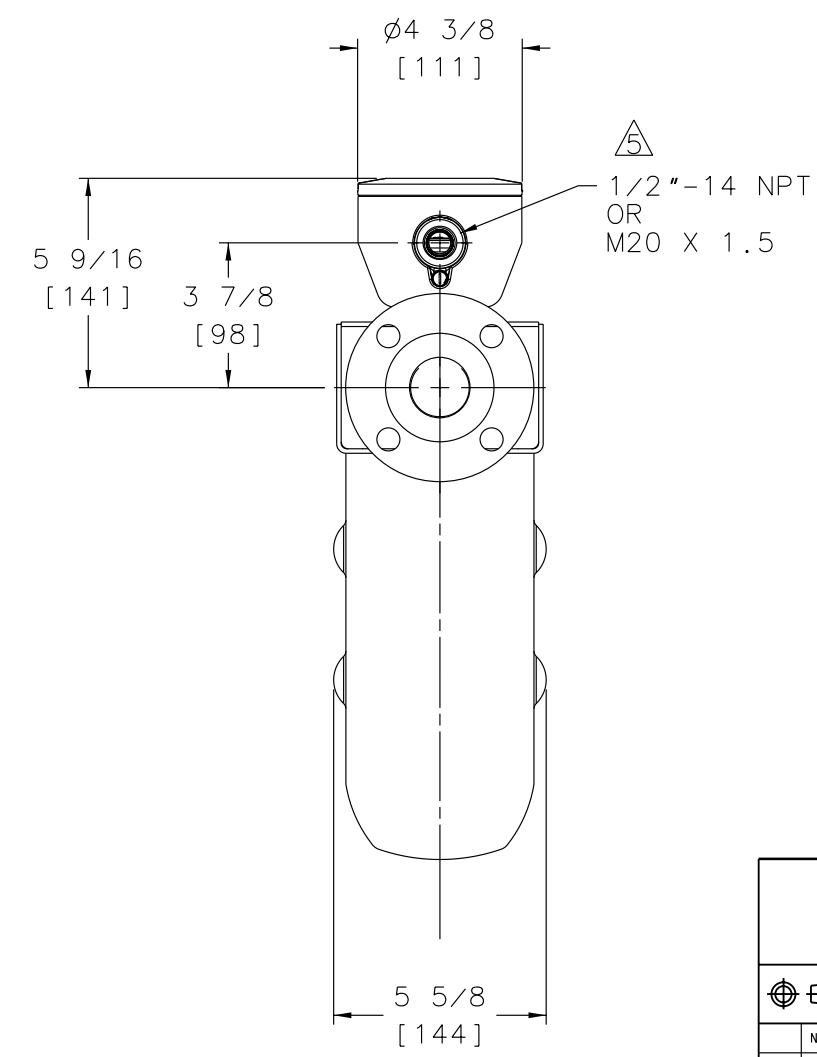
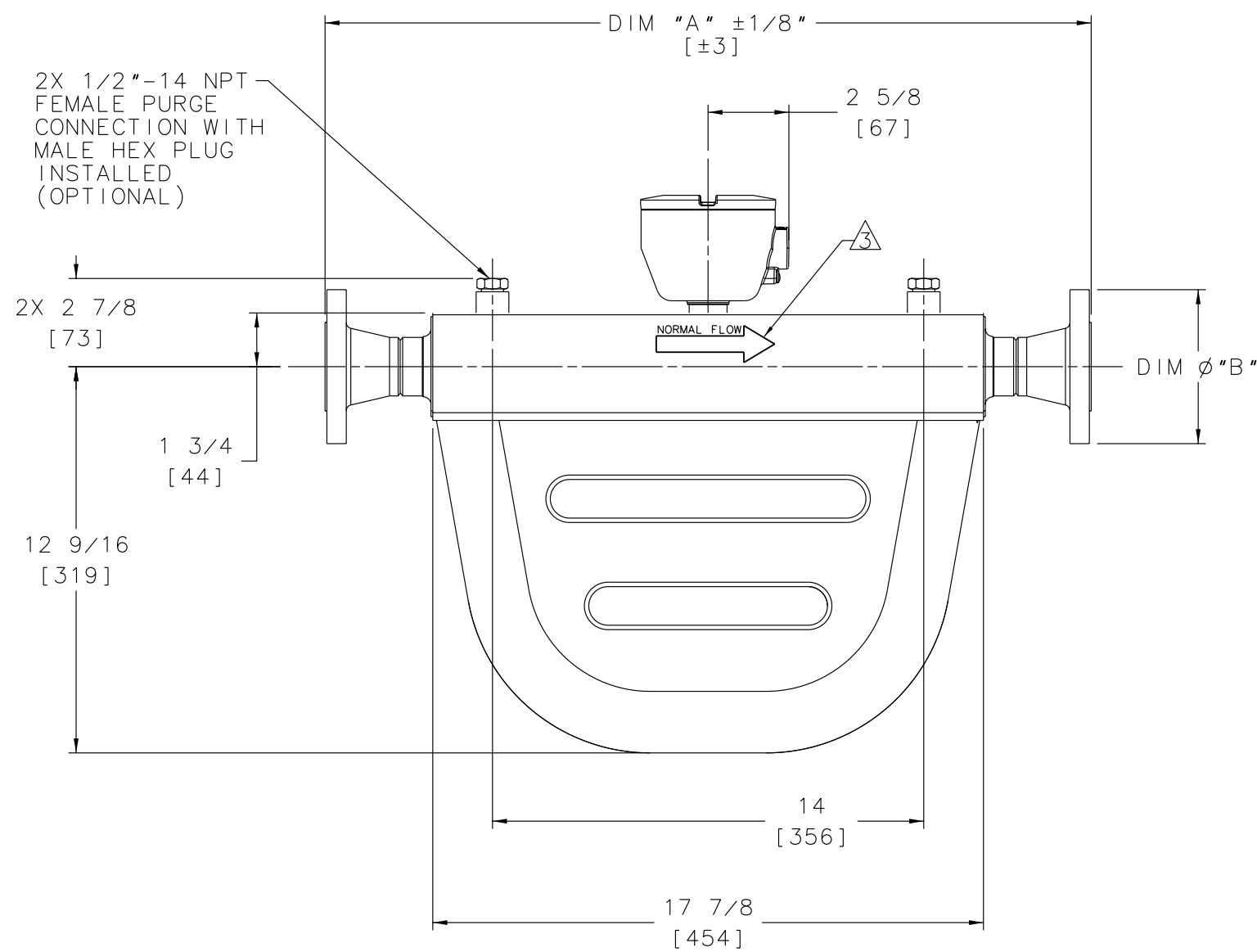
C

B

B

A

A



8

7

6

5

4

3

2

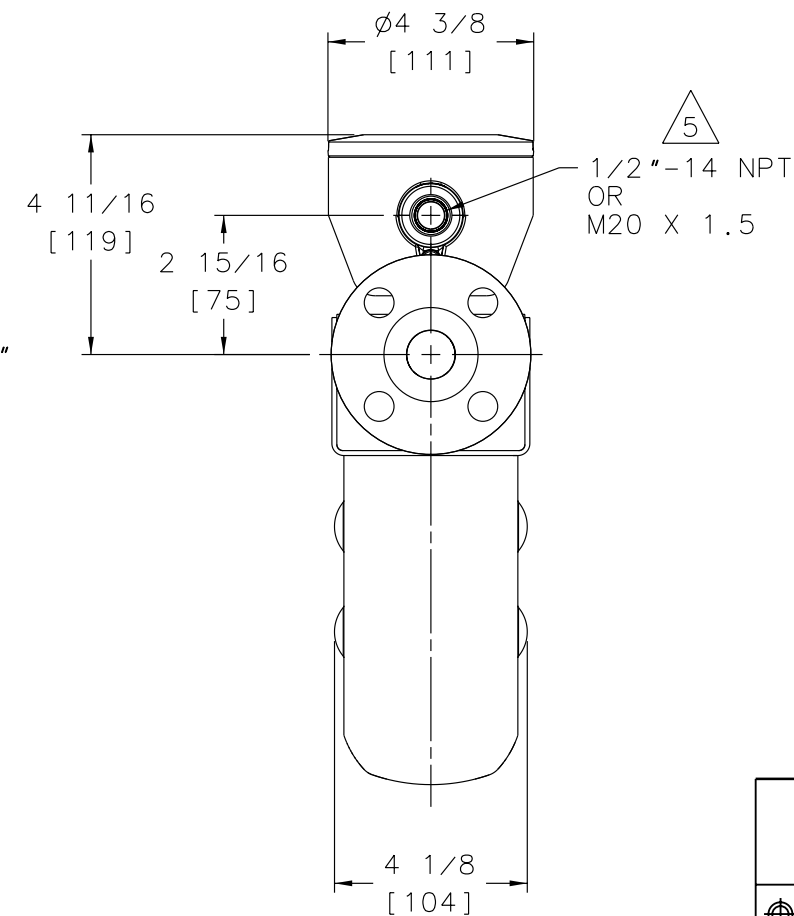
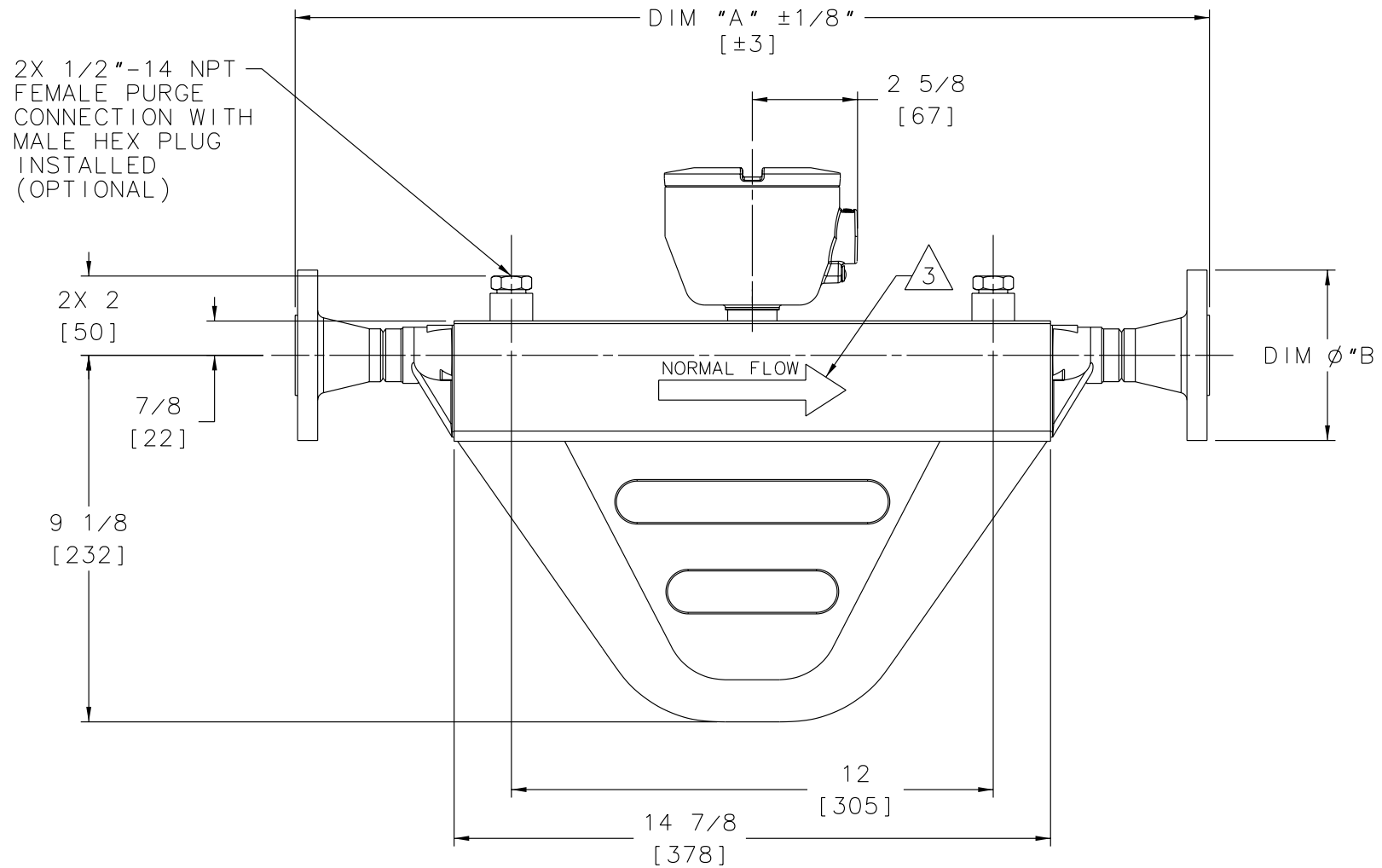
1

GENERAL NOTES (UNLESS OTHERWISE SPECIFIED)

- 1 PROCESS CONNECTION:  
ASME/ANSI B16.5 WELD NECK RAISED FACE FLANGE.  
FLANGE MEETS MULTIPLE MATERIAL GRADE SPECIFICATIONS.  
MECHANICAL PROPERTIES: 316 STAINLESS STEEL  
CHEMICAL PROPERTIES: 316L STAINLESS STEEL
- 2. MATERIALS OF SENSOR CONSTRUCTION:  
WETTED MATERIALS: STAINLESS STEEL 316L / CF-3M  
SENSOR CASE MATERIAL: STAINLESS STEEL 304  
WIRING JUNCTION BOX: STAINLESS STEEL CF-3M
- 3 THE ARROW INDICATES NORMAL FLOW DIRECTION.  
THE SENSOR CAN BE INSTALLED IN NORMAL (FORWARD) FLOW,  
REVERSE FLOW, OR BI-DIRECTIONAL FLOW DIRECTION.  
DESIRED FLOW DIRECTION SHOULD BE SET IN TRANSMITTER CONFIGURATION.
- 4. DIMENSIONS ARE IN INCHES [MM]. METRIC UNITS ARE FOR REFERENCE;  
DO NOT CONVERT.
- 5 HOUSING ALLOWS FOR 360° ROTATION FOR  
ORIENTATION OF WIRING ENTRANCE.

1

PROCESS CONNECTION	DIM "A"	DIM $\phi$ "B"	SENSOR WEIGHT	SHIPPING WEIGHT
ANSI 150# 1"	22 11/16 [576]	$\phi$ 4 1/4 [108]	25 LBS [12 Kg]	35 LBS [16 Kg]
ANSI 300# 1"	23 3/16 [588]	$\phi$ 4 7/8 [124]	28 LBS [13 Kg]	37 LBS [17 Kg]
ANSI 600# 1"	23 11/16 [601]	$\phi$ 4 7/8 [124]	28 LBS [13 Kg]	38 LBS [17 Kg]
ANSI 150# 2"	23 1/16 [585]	$\phi$ 6 [152]	33 LBS [15 Kg]	43 LBS [20 Kg]



		MICRO MOTION, INC. BOULDER, COLORADO	
THIRD ANGLE PROJECTION		DIM DWG, F100 ANSI CORE	
NAME	DATE	SIZE	DWG. NO.
DRAWN LLR	8/25/03	D	EP-20001474
CHKD. JLA	8/28/03	SCALE 1:2	DO NOT SCALE DRAWING
APVD. JLA	8/28/03	SHEET 1	OF 1

COPYRIGHT 2003 MICRO MOTION, INC.  
ALL RIGHTS RESERVED

8

7

6

5

4

3

2

1

GENERAL NOTES (UNLESS OTHERWISE SPECIFIED)

- 1. PROCESS CONNECTION:  
ASME/ANSI B16.5 WELD NECK RAISED FACE FLANGE.  
FLANGE MEETS MULTIPLE MATERIAL GRADE SPECIFICATIONS.  
MECHANICAL PROPERTIES: 316 STAINLESS STEEL  
CHEMICAL PROPERTIES: 316L STAINLESS STEEL
- 2. MATERIALS OF SENSOR CONSTRUCTION:  
WETTED MATERIALS: STAINLESS STEEL 316L / CF-3M  
SENSOR CASE MATERIAL: STAINLESS STEEL 304  
WIRING JUNCTION BOX: STAINLESS STEEL CF-3M
- 3. THE ARROW INDICATES NORMAL FLOW DIRECTION.  
THE SENSOR CAN BE INSTALLED IN NORMAL (FORWARD) FLOW,  
REVERSE FLOW OR BI-DIRECTIONAL FLOW DIRECTION.  
DESIRED FLOW DIRECTION SHOULD BE SET IN TRANSMITTER CONFIGURATION.
- 4. DIMENSIONS ARE IN INCHES [MM]. METRIC UNITS ARE FOR REFERENCE;  
DO NOT CONVERT.
- 5. HOUSING ALLOWS FOR 360° ROTATION FOR ORIENTATION OF  
WIRING ENTRANCE.



PROCESS CONNECTION	DIM "A"	DIM $\phi$ "B"	SENSOR WEIGHT	SHIPPING WEIGHT
ANSI 150# 1/2"	18 1/8 [460]	$\phi$ 3 1/2 [89]	16 LBS [8 Kg]	24 LBS [11 Kg]
ANSI 300# 1/2"	18 1/2 [469]	$\phi$ 3 3/4 [95]	17 LBS [8 Kg]	25 LBS [12 Kg]
ANSI 600# 1/2"	19 [482]	$\phi$ 3 3/4 [95]	18 LBS [8 Kg]	26 LBS [12 Kg]

D

D

C

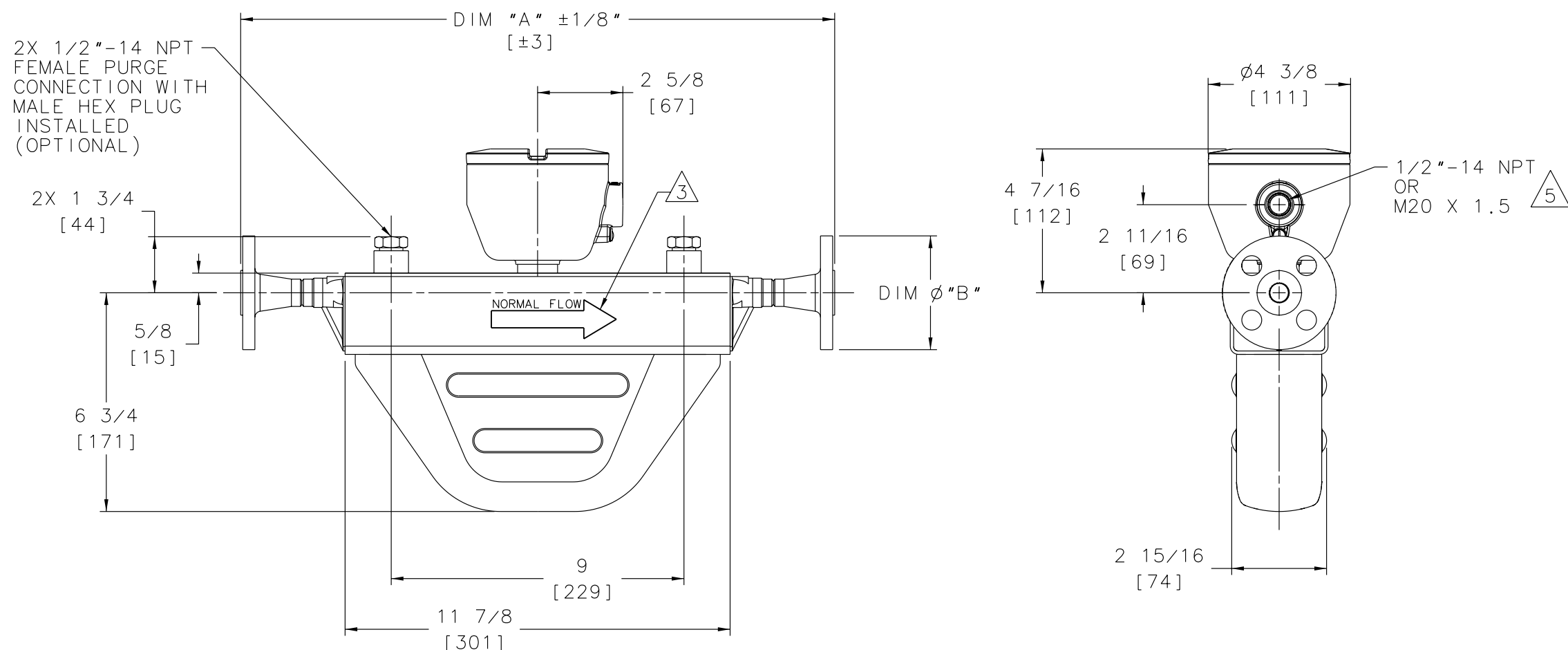
C

B

B

A

A



COPYRIGHT 2003 MICRO MOTION, INC. ALL RIGHTS RESERVED

		MICRO MOTION, INC. BOULDER, COLORADO	
THIRD ANGLE PROJECTION		DIM DWG, F050 ANSI CORE	
NAME	DATE	SIZE	DWG. NO.
DRAWN LLR	8/5/03	D	EP-20001340
CHKD. JLA	8/25/03	SCALE 1:2	DO NOT SCALE DRAWING SHEET 1 OF 1
APVD. JLA	8/25/03		

8

7

6

5

4

3

2

1

8

7

6

5

4

3

2

1

GENERAL NOTES (UNLESS OTHERWISE SPECIFIED)

1. JIS FLANGE PER B2238 WELDING NECK FLANGE  
 FLANGE MEETS MULTIPLE MATERIAL GRADE SPECIFICATIONS.  
 MECHANICAL PROPERTIES: 316 STAINLESS STEEL  
 CHEMICAL PROPERTIES: 316L STAINLESS STEEL

2. MATERIALS OF SENSOR CONSTRUCTION:  
 WETTED MATERIALS: STAINLESS STEEL 316L / CF-3M  
 SENSOR CASE MATERIAL: STAINLESS STEEL 304  
 WIRING JUNCTION BOX: STAINLESS STEEL CF-3M

3. THE ARROW INDICATES NORMAL FLOW DIRECTION.  
 THE SENSOR CAN BE INSTALLED IN NORMAL (FORWARD) FLOW,  
 REVERSE FLOW, OR BI-DIRECTIONAL FLOW DIRECTION.  
 DESIRED FLOW DIRECTION SHOULD BE SET IN TRANSMITTER CONFIGURATION.

4. DIMENSIONS ARE IN INCHES [MM]. METRIC UNITS ARE FOR REFERENCE;  
 DO NOT CONVERT.

5. HOUSING ALLOWS FOR 360° ROTATION FOR ORIENTATION OF  
 WIRING ENTRANCE.

1

PROCESS CONNECTION	DIM "A"	DIM $\phi$ "B"	SENSOR WEIGHT	SHIPPING WEIGHT
JIS 10K/20K 15MM	15 7/16 [393]	$\phi$ 3 3/4 [95]	16 LBS [7 Kg]	24 LBS [11 Kg]
JIS 40K 15MM	16 1/2 [420]	$\phi$ 4 1/2 [115]	19 LBS [9 Kg]	27 LBS [12 Kg]

D

D

C

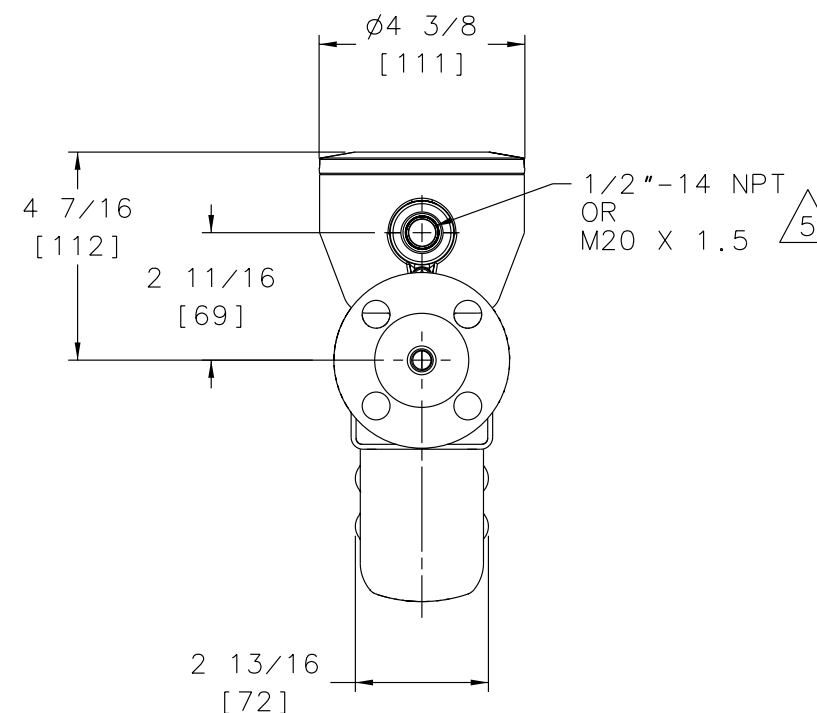
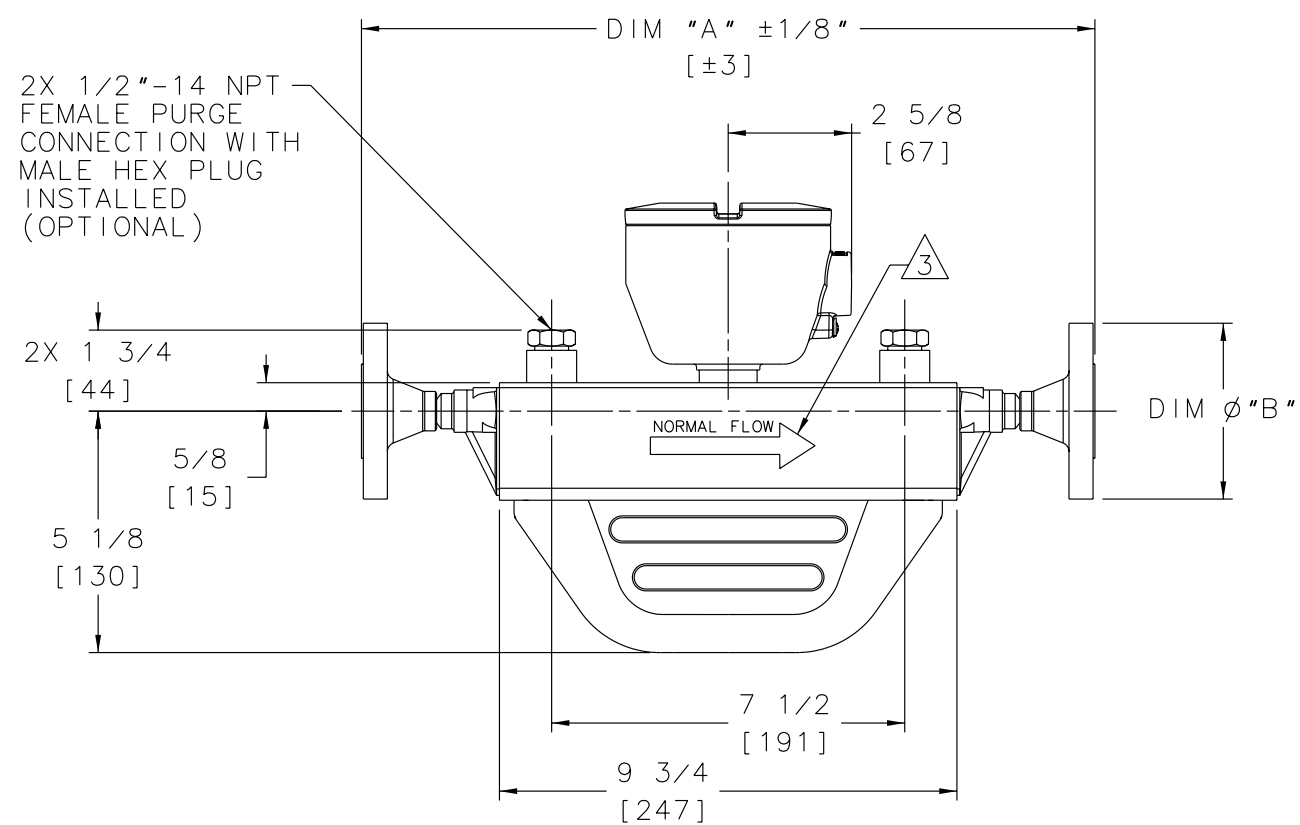
C

B

B

A

A



COPYRIGHT 2003 MICRO MOTION, INC.  
ALL RIGHTS RESERVED

		MICRO MOTION, INC. BOULDER, COLORADO			
		DIM DWG, F025 JIS CORE			
THIRD ANGLE PROJECTION	NAME	DATE	SIZE	DWG. NO.	REV.
DRAWN	LLR	8/19/03	D	EP-20001422	A
CHKD.	JLA	8/25/03	SCALE	1:2	DO NOT SCALE DRAWING SHEET 1 OF 1
APVD.	JLA	8/25/03			

8

7

6

5

4

3

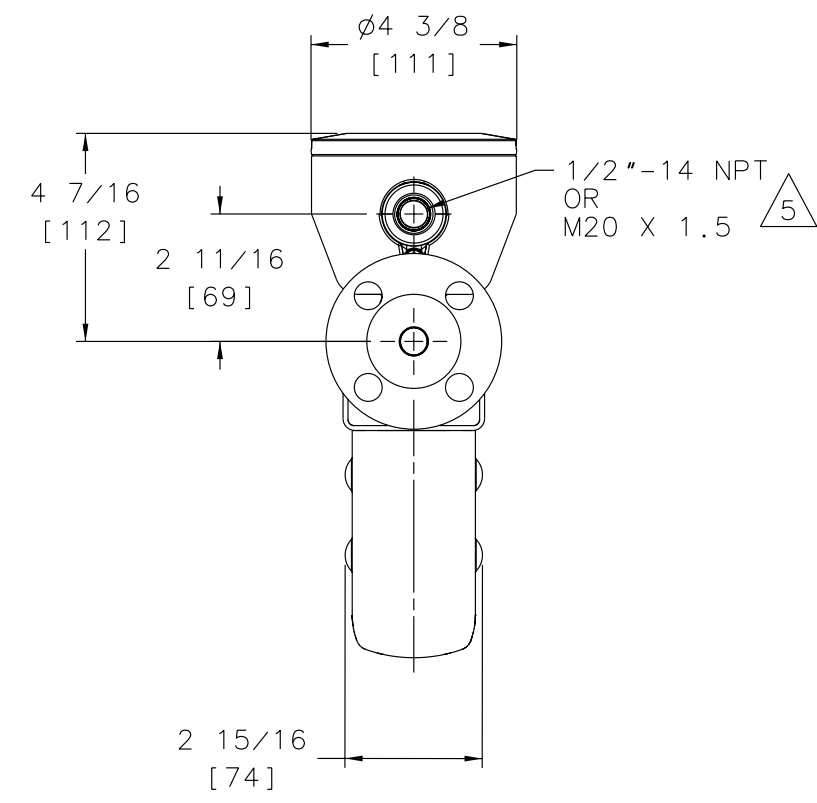
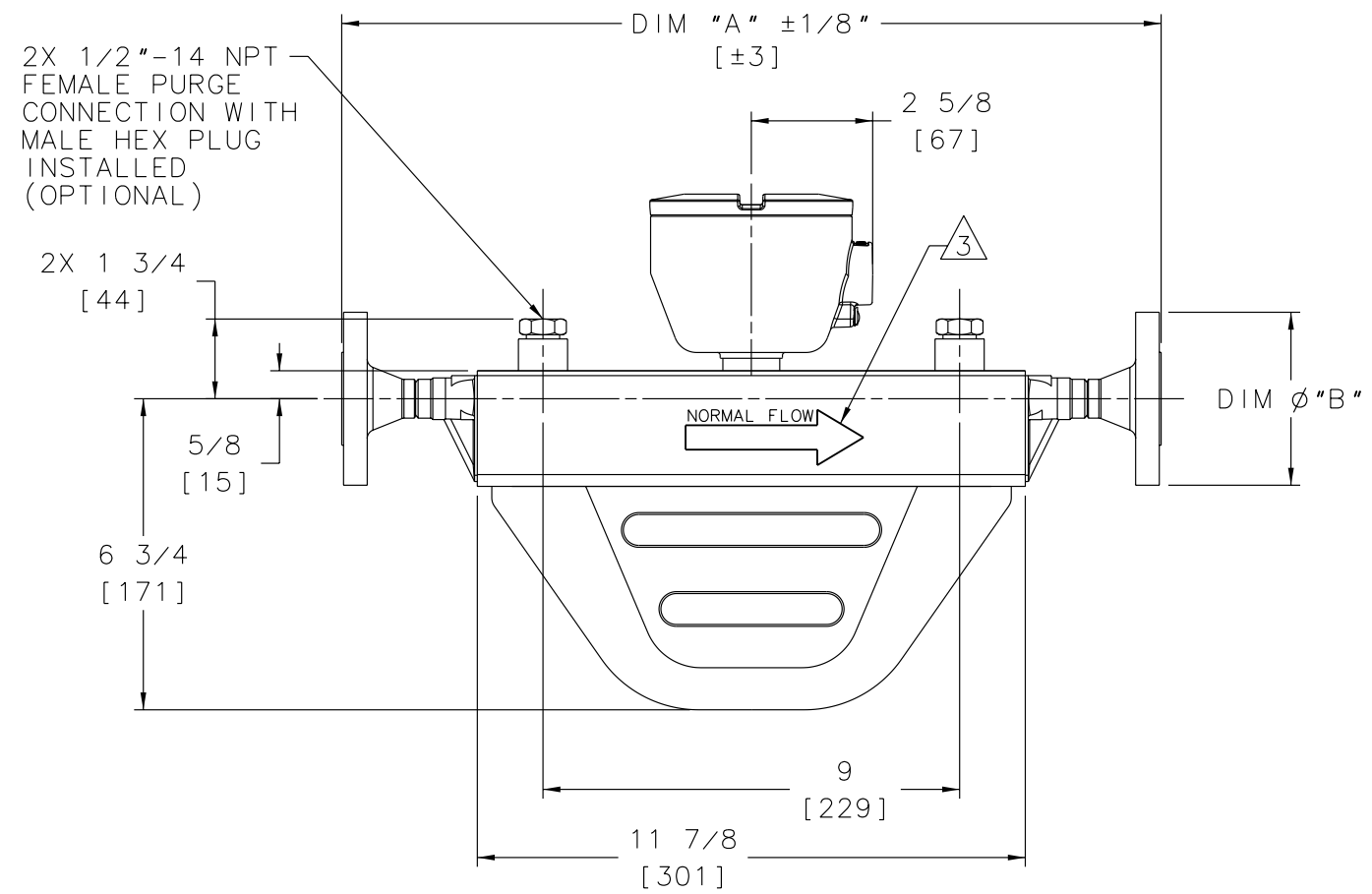
2

1

GENERAL NOTES (UNLESS OTHERWISE SPECIFIED)

- 1. JIS FLANGE PER B2238 WELDING NECK FLANGE  
FLANGE MEETS MULTIPLE MATERIAL GRADE SPECIFICATIONS.  
MECHANICAL PROPERTIES: 316 STAINLESS STEEL  
CHEMICAL PROPERTIES: 316L STAINLESS STEEL
- 2. MATERIALS OF SENSOR CONSTRUCTION:  
WETTED MATERIALS: STAINLESS STEEL 316L / CF-3M  
SENSOR CASE MATERIAL: STAINLESS STEEL 304  
WIRING JUNCTION BOX: STAINLESS STEEL CF-3M
- 3. THE ARROW INDICATES NORMAL FLOW DIRECTION.  
THE SENSOR CAN BE INSTALLED IN NORMAL (FORWARD) FLOW,  
REVERSE FLOW OR BI-DIRECTIONAL FLOW DIRECTION.  
DESIRED FLOW DIRECTION SHOULD BE SET IN TRANSMITTER CONFIGURATION.
- 4. DIMENSIONS ARE IN INCHES [MM]. METRIC UNITS ARE FOR REFERENCE;  
DO NOT CONVERT.
- 5. HOUSING ALLOWS FOR 360° ROTATION FOR ORIENTATION OF  
WIRING ENTRANCE.

1	PROCESS CONNECTION	DIM "A"	DIM $\phi$ "B"	SENSOR WEIGHT	SHIPPING WEIGHT
	JIS 10K/20K 15MM	17 9/16 [446]	$\phi$ 3 3/4 [95]	17 LBS [8 Kg]	25 LBS [12 Kg]
	JIS 40K 15MM	18 5/8 [473]	$\phi$ 4 1/2 [115]	20 LBS [9 Kg]	28 LBS [13 Kg]



		<b>MICRO MOTION, INC.</b> BOULDER, COLORADO	
THIRD ANGLE PROJECTION		DIM DWG, F050 JIS CORE	
NAME	DATE	SIZE	DWG. NO.
DRAWN LLR	8/5/03	D	EP-20001342
CHKD. JLA	8/25/03	SCALE 1:2	DO NOT SCALE DRAWING
APVD. JLA	8/25/03	SHEET 1 OF 1	

COPYRIGHT 2003 MICRO MOTION, INC.  
ALL RIGHTS RESERVED

8

7

6

5

4

3

2

1

GENERAL NOTES (UNLESS OTHERWISE SPECIFIED)

1 JIS FLANGE PER B2238 WELDING NECK FLANGE  
 FLANGE MEETS MULTIPLE MATERIAL GRADE SPECIFICATIONS.  
 MECHANICAL PROPERTIES: 316 STAINLESS STEEL  
 CHEMICAL PROPERTIES: 316L STAINLESS STEEL

2. MATERIALS OF SENSOR CONSTRUCTION:  
 WETTED MATERIALS: STAINLESS STEEL 316L / CF-3M  
 SENSOR CASE MATERIAL: STAINLESS STEEL 304  
 WIRING JUNCTION BOX: STAINLESS STEEL CF-3M

3 THE ARROW INDICATES NORMAL FLOW DIRECTION.  
 THE SENSOR CAN BE INSTALLED IN NORMAL (FORWARD) FLOW,  
 REVERSE FLOW, OR BI-DIRECTIONAL FLOW DIRECTION.  
 DESIRED FLOW DIRECTION SHOULD BE SET IN TRANSMITTER CONFIGURATION.

4. DIMENSIONS ARE IN INCHES [MM]. METRIC UNITS ARE FOR REFERENCE;  
 DO NOT CONVERT.

5 HOUSING ALLOWS FOR 360° ROTATION FOR  
 ORIENTATION OF WIRING ENTRANCE.

1

PROCESS CONNECTION	DIM "A"	DIM $\phi$ "B"	SENSOR WEIGHT	SHIPPING WEIGHT
JIS 10K/20K 25MM	21 11/16 [550]	$\phi$ 4 15/16 [125]	26 LBS [12 Kg]	36 LBS [17 Kg]
JIS 40K 25MM	22 15/16 [582]	$\phi$ 5 1/8 [130]	31 LBS [14 Kg]	40 LBS [18 Kg]

D

D

C

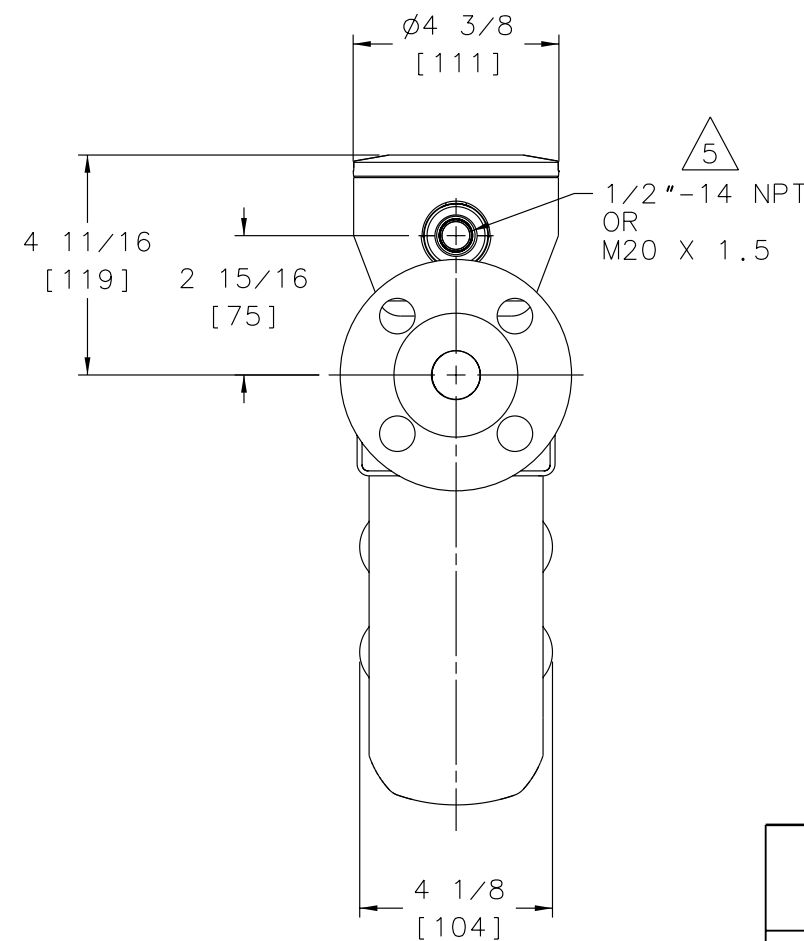
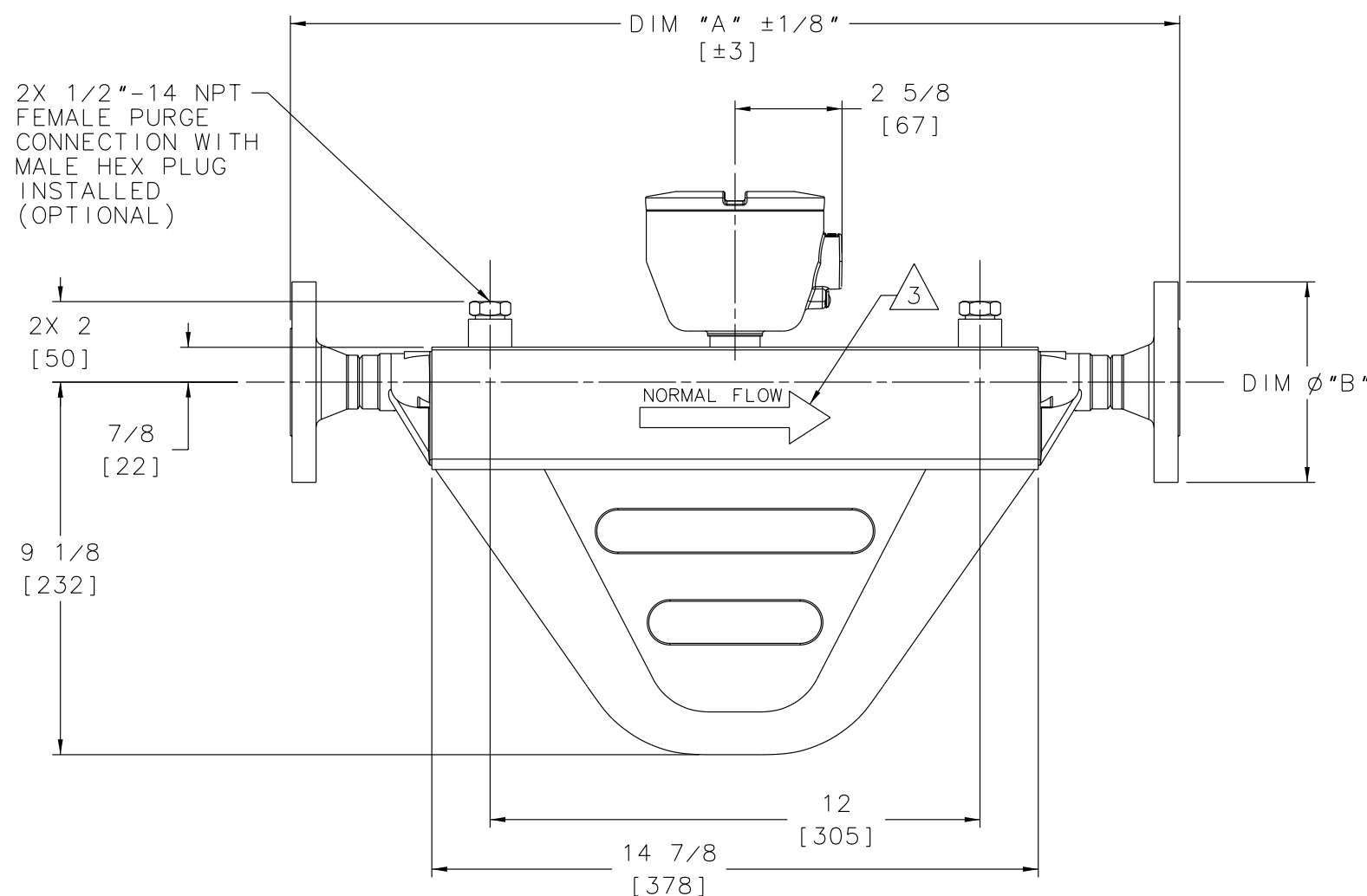
C

B

B

A

A



		MICRO MOTION, INC. BOULDER, COLORADO	
THIRD ANGLE PROJECTION		DIM DWG, F100 JIS CORE	
NAME	DATE	SIZE	DWG. NO.
DRAWN LLR	8/25/03	D	EP-20001476
CHKD. JLA	8/28/03	SCALE 1:2	DO NOT SCALE DRAWING SHEET 1 OF 1
APVD. JLA	8/28/03		

COPYRIGHT 2003 MICRO MOTION, INC.  
 ALL RIGHTS RESERVED

8

7

6

5

4

3

2

1



8

7

6

5

4

3

2

1

GENERAL NOTES (UNLESS OTHERWISE SPECIFIED)

- ① JIS FLANGE PER B2238 WELDING NECK FLANGE  
FLANGE MEETS MULTIPLE MATERIAL GRADE SPECIFICATIONS.  
MECHANICAL PROPERTIES: 316 STAINLESS STEEL  
CHEMICAL PROPERTIES: 316L STAINLESS STEEL
- 2. MATERIALS OF SENSOR CONSTRUCTION:  
WETTED MATERIALS: STAINLESS STEEL 316L / CF-3M  
SENSOR CASE MATERIAL: STAINLESS STEEL 304  
WIRING JUNCTION BOX: STAINLESS STEEL CF-3M
- ③ THE ARROW INDICATES NORMAL FLOW DIRECTION.  
THE SENSOR CAN BE INSTALLED IN NORMAL (FORWARD) FLOW,  
REVERSE FLOW OR BI-DIRECTIONAL FLOW DIRECTION.  
DESIRED FLOW DIRECTION SHOULD BE SET IN TRANSMITTER CONFIGURATION.
- 4. DIMENSIONS ARE IN INCHES [MM]. METRIC  
UNITS ARE FOR REFERENCE; DO NOT CONVERT.
- ⑤ HOUSING ALLOWS FOR 360° ROTATION FOR  
ORIENTATION OF WIRING ENTRANCE.



PROCESS CONNECTION	DIM "A"	DIM $\phi$ "B"	SENSOR WEIGHT	SHIPPING WEIGHT
JIS 10K 40MM	23 7/16 [595]	$\phi$ 5 1/2 [140]	47 LBS [22 Kg]	58 LBS [27 Kg]
JIS 10K 50MM	23 7/16 [595]	$\phi$ 6 1/8 [155]	49 LBS [22 Kg]	60 LBS [27 Kg]
JIS 20K 40MM	23 7/16 [595]	$\phi$ 5 1/2 [140]	47 LBS [22 Kg]	58 LBS [27 Kg]
JIS 20K 50MM	23 5/8 [600]	$\phi$ 6 1/8 [155]	50 LBS [23 Kg]	61 LBS [28 Kg]
JIS 40K 50MM	25 7/16 [646]	$\phi$ 6 1/2 [165]	57 LBS [26 Kg]	68 LBS [31 Kg]

D

D

C

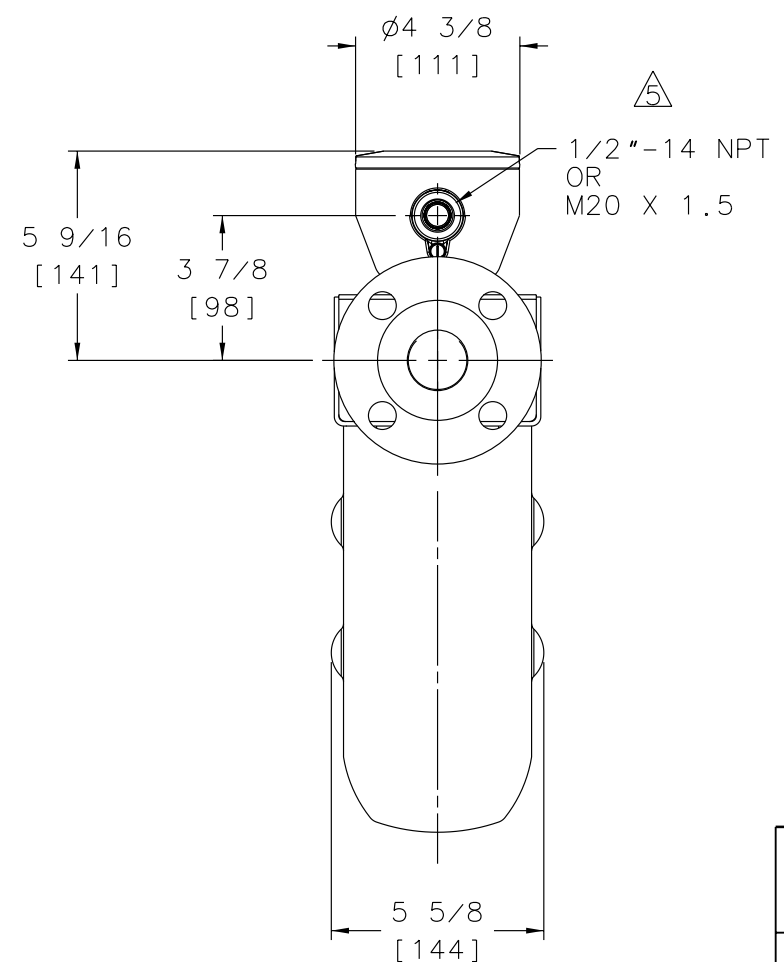
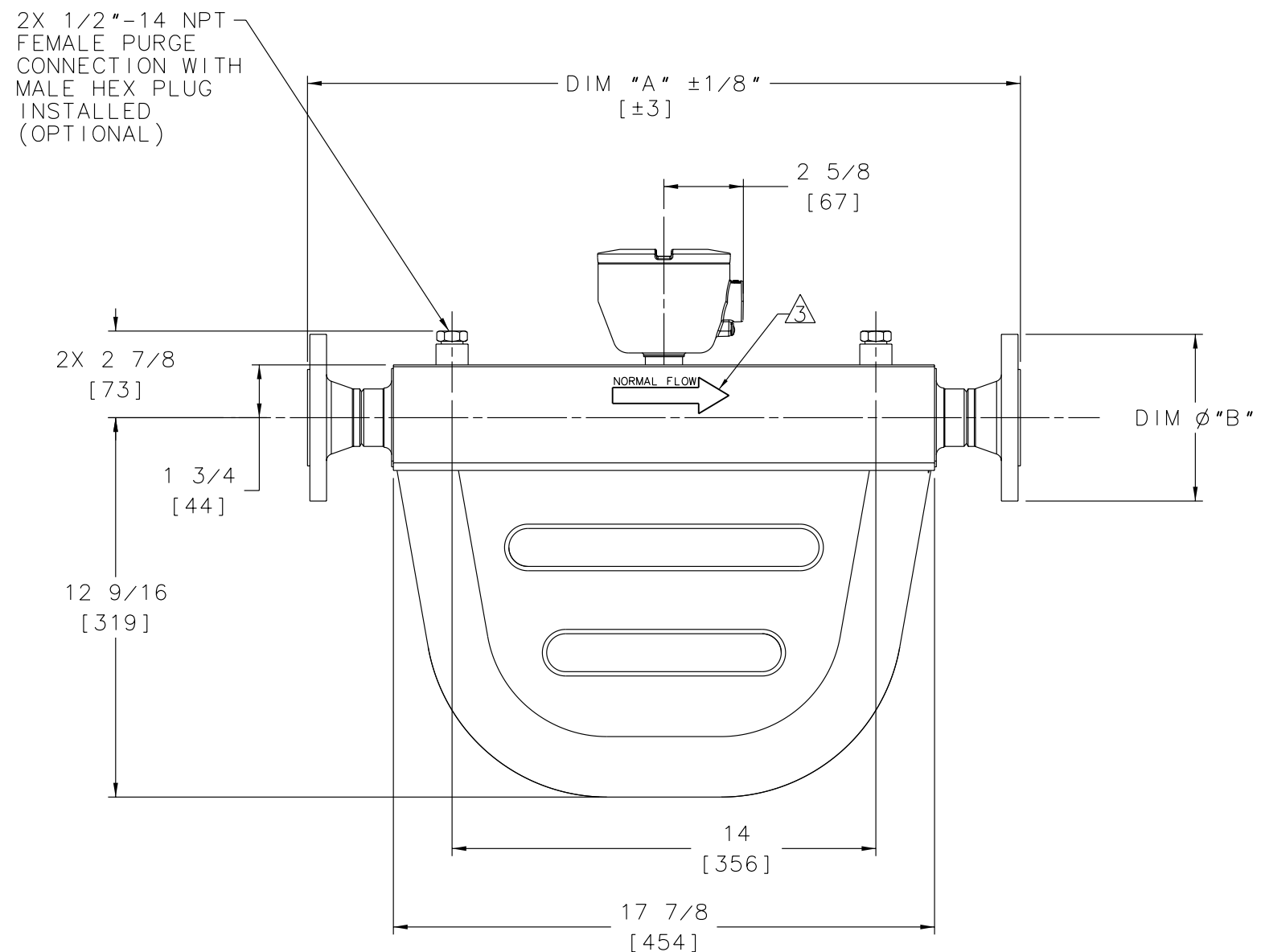
C

B

B

A

A



		<b>MICRO MOTION, INC.</b> BOULDER, COLORADO		
		DIM DWG, F200 JIS CORE		
NAME	DATE	SIZE	DWG. NO.	REV.
DRAWN SAD	9/5/03	D	EP-20001522	A
CHKD. JLA	9/5/03	SCALE 2:5	DO NOT SCALE DRAWING	SHEET 1 OF 1
APVD. JLA	9/5/03	COPYRIGHT 2003 MICRO MOTION, INC. ALL RIGHTS RESERVED		

8

7

6

5

4

3

2

1

8

7

6

5

4

3

2

1

GENERAL NOTES (UNLESS OTHERWISE SPECIFIED)

- ① JIS FLANGE PER B2238 WELDING NECK FLANGE  
FLANGE MEETS MULTIPLE MATERIAL GRADE SPECIFICATIONS.  
MECHANICAL PROPERTIES: 316 STAINLESS STEEL  
CHEMICAL PROPERTIES: 316L STAINLESS STEEL
- 2. MATERIALS OF SENSOR CONSTRUCTION:  
WETTED MATERIALS: STAINLESS STEEL 316L / CF-3M  
SENSOR CASE MATERIAL: STAINLESS STEEL 304  
WIRING JUNCTION BOX: STAINLESS STEEL CF-3M
- ③ THE ARROW INDICATES NORMAL FLOW DIRECTION.  
THE SENSOR CAN BE INSTALLED IN NORMAL (FORWARD) FLOW,  
REVERSE FLOW OR BI-DIRECTIONAL FLOW DIRECTION.  
DESIRED FLOW DIRECTION SHOULD BE SET IN TRANSMITTER CONFIGURATION.
- 4. DIMENSIONS ARE IN INCHES [MM]. METRIC UNITS ARE FOR REFERENCE;  
DO NOT CONVERT.
- ⑤ HOUSING ALLOWS FOR 360° ROTATION FOR ORIENTATION OF WIRING ENTRANCE.



PROCESS CONNECTION	DIM "A"	DIM $\phi$ "B"	SENSOR WEIGHT	SHIPPING WEIGHT
JIS 10K 80MM	36 1/2 [927]	$\phi$ 7 5/16 [186]	154 LBS [70 Kg]	185 LBS [84 Kg]
JIS 10K 100MM	36 11/16 [932]	$\phi$ 8 1/4 [210]	158 LBS [72 Kg]	190 LBS [86 Kg]
JIS 20K 80MM	36 1/2 [927]	$\phi$ 7 7/8 [200]	158 LBS [72 Kg]	190 LBS [86 Kg]
JIS 20K 100MM	36 11/16 [932]	$\phi$ 8 7/8 [225]	167 LBS [76 Kg]	198 LBS [90 Kg]

D

D

C

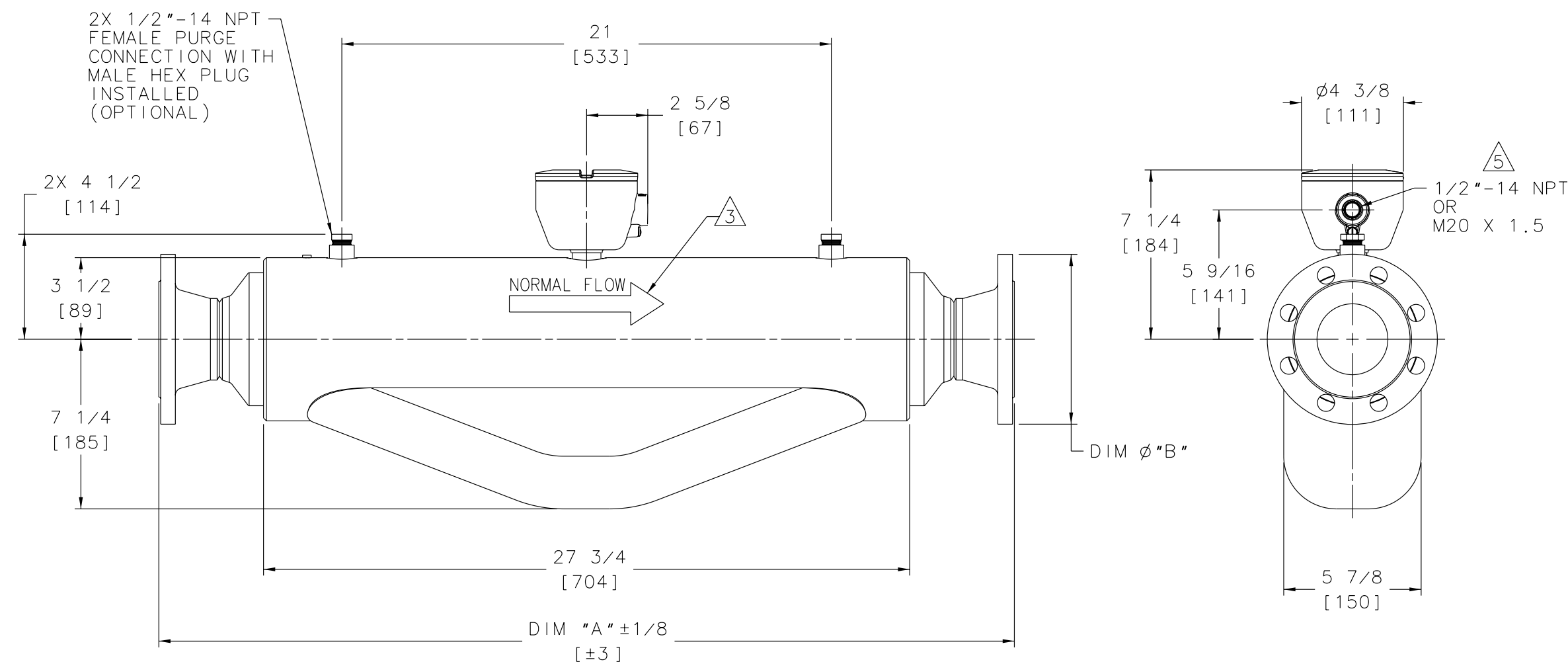
C

B

B

A

A



		MICRO MOTION, INC. BOULDER, COLORADO	
		DIM DWG, F300 JIS CORE	
THIRD ANGLE PROJECTION			
NAME	DATE	SIZE	DWG. NO.
DRAWN WJB	3/7/04	D	EP-20002020
CHKD. JLA	4/22/04	SCALE 3:8	DO NOT SCALE DRAWING
APVD. JLA	4/22/04	SHEET 1 OF 1	

COPYRIGHT 2004 MICRO MOTION, INC. ALL RIGHTS RESERVED

8

7

6

5

4

3

2

1