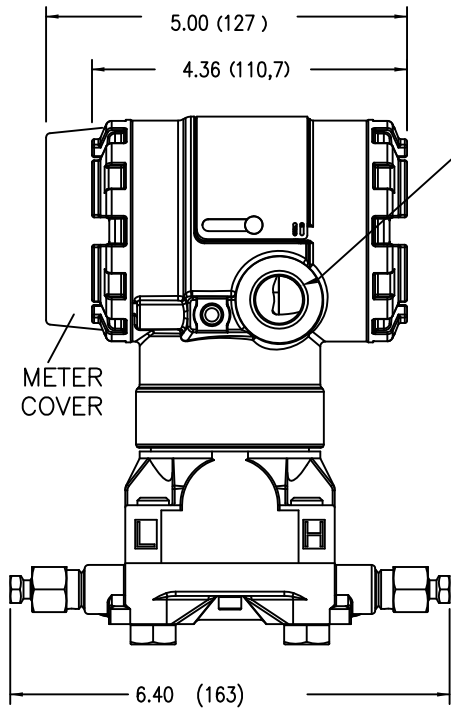


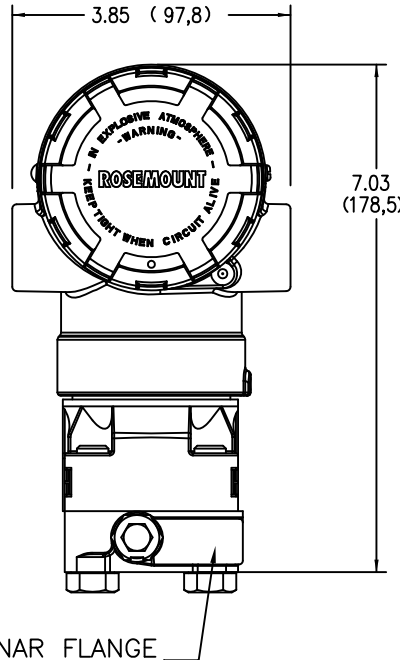
2051 PRESSURE TRANSMITTER—COPLANAR FLANGE

REVISIONS				
REV	DESCRIPTION	CHG.NO.	APP'D	DATE
AA	NEW RELEASE TYPE 1	RTC1026528	JLA	7/9/08

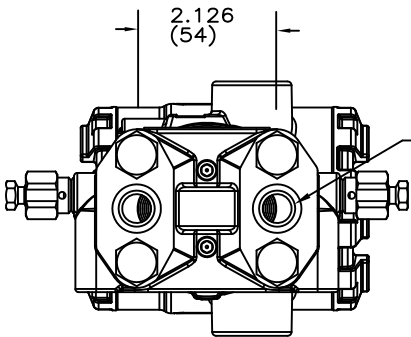
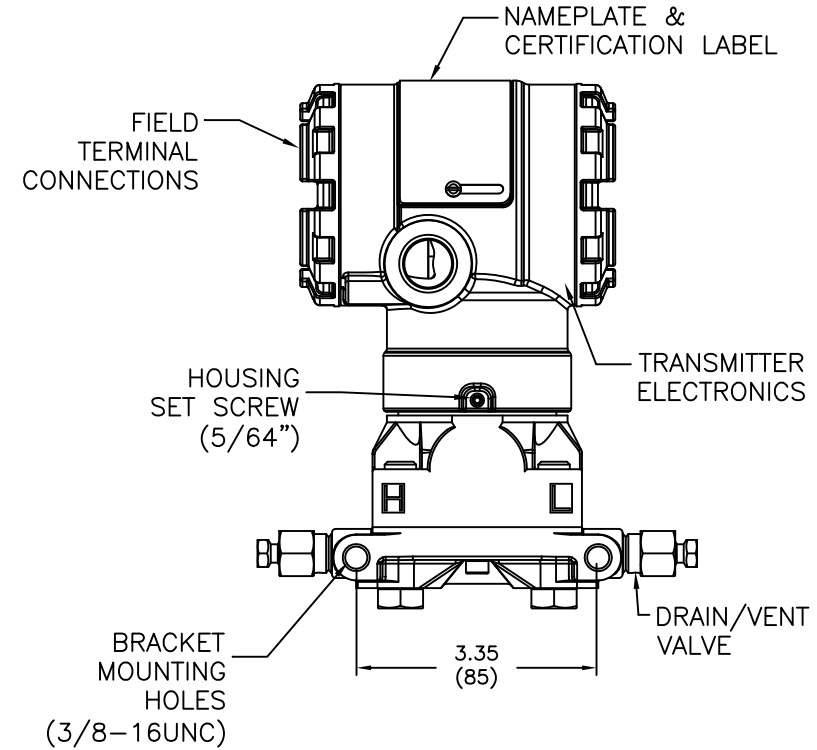


1/2-14 NPT OR
M20x1.5 CONDUIT
CONNECTION
(2 PLACES)

METER
COVER



COPLANAR FLANGE
PROCESS CONNECTION
PER IEC 61518
2.126(54) ±.012"
CONNECTION CENTERS



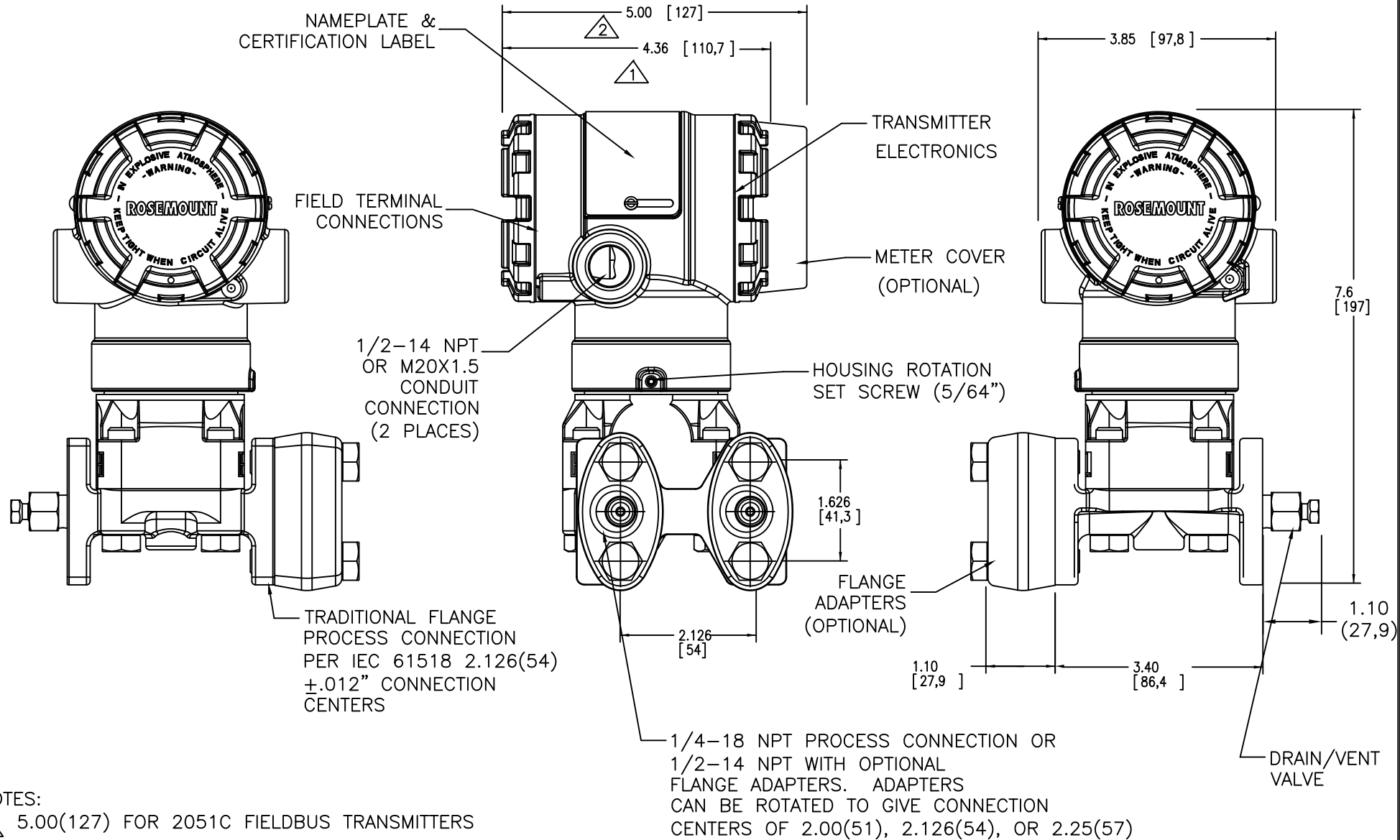
1/4-18 NPT PROCESS CONNECTION OR
1/2-14 NPT WITH OPTIONAL FLANGE ADAPTERS.
ADAPTERS CAN BE ROTATED TO PROVIDE
CONNECTION CENTERS OF 2.00 (51), 2.126 (54),
OR 2.25 (57).

NOTES:

- ① 5.00(127) FOR 2051C FIELDBUS TRANSMITTERS.
- ② 5.46(138,7) FOR 2051C FIELDBUS TRANSMITTER. WITH OPTIONAL LCD

*UNLESS OTHERWISE SPECIFIED DIMENSIONS IN INCHES (MM)		TYPE I		ROSEMOUNT® CHANHASSEN, MINNESOTA		
*ALL DIMENSIONS ARE NOMINAL AND ARE FOR REFERENCE ONLY		DR. JOHN ARMSTRONG	6/26/08	TITLE		
		APPROVAL		DIMENSIONAL DRAWING FOR		
		DWG N HAYWOOD		2051C PRESSURE TRANSMITTER		
		TAGGING		SIZE	DRAWING NO.	
		SPECIALS		A	02051-7710	
		SCALE:NONE		SHEET 1 OF 2		

2051 PRESSURE TRANSMITTER— TRADITIONAL FLANGE



NOTES:

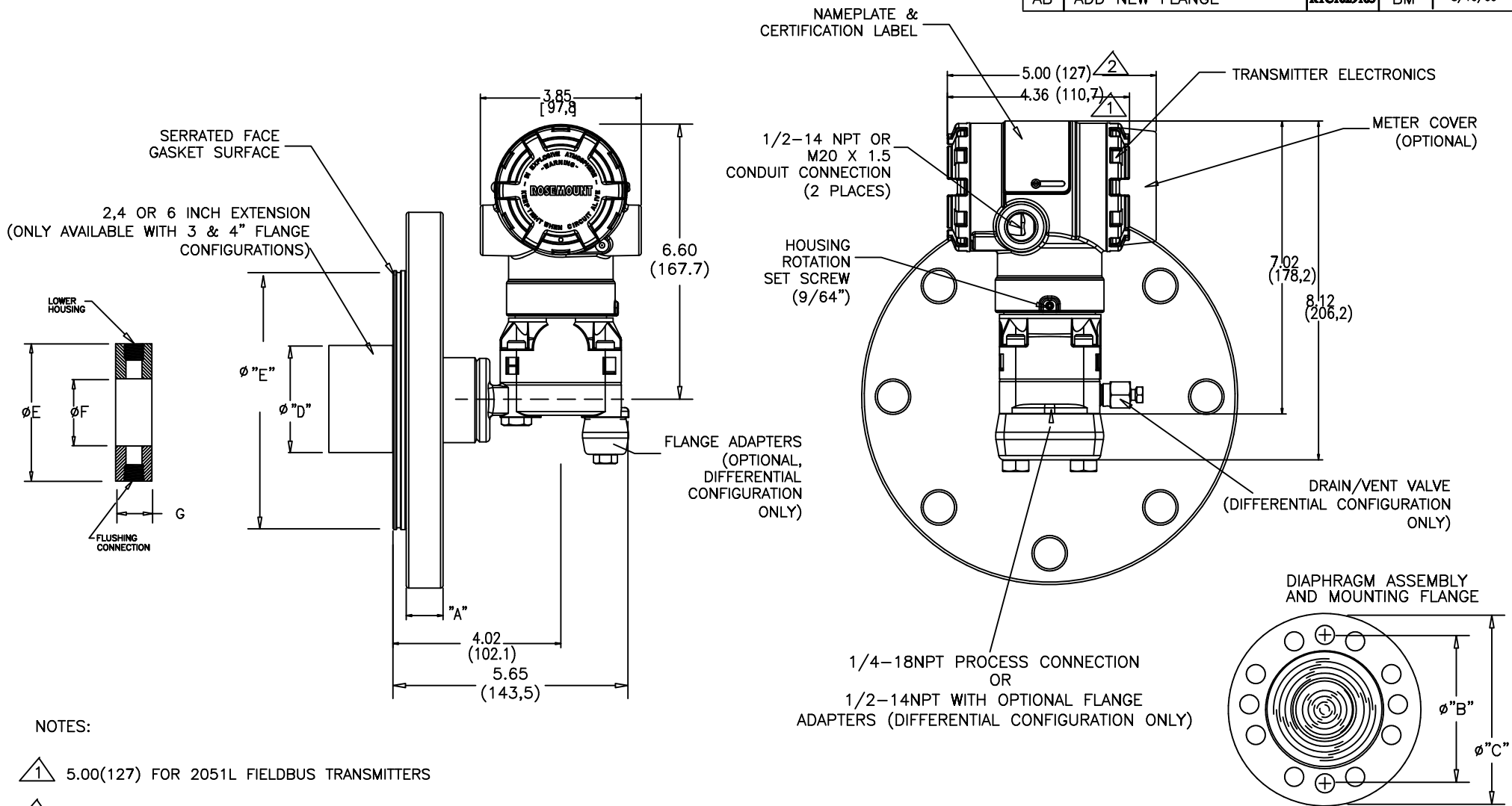
① 5.00(127) FOR 2051C FIELDBUS TRANSMITTERS

② 5.46(138.7) FOR 2051C FIELDBUS TRANSMITTERS WITH OPTIONAL LCD

ROSEMOUNT®
CHANHASSEN, MINN.

SIZE	FSCM.NO.	DRAWING NO.
A		02051-7710
SCALE:		SHEET 2 OF 2

REVISIONS				
REV	DESCRIPTION	CHG.NO.	APP'D	DATE
AA	NEW RELEASE TYPE 1	RTC1026528	JLA	7/9/08
AB	ADD NEW FLANGE	RTC1029165	BM	8/10/09

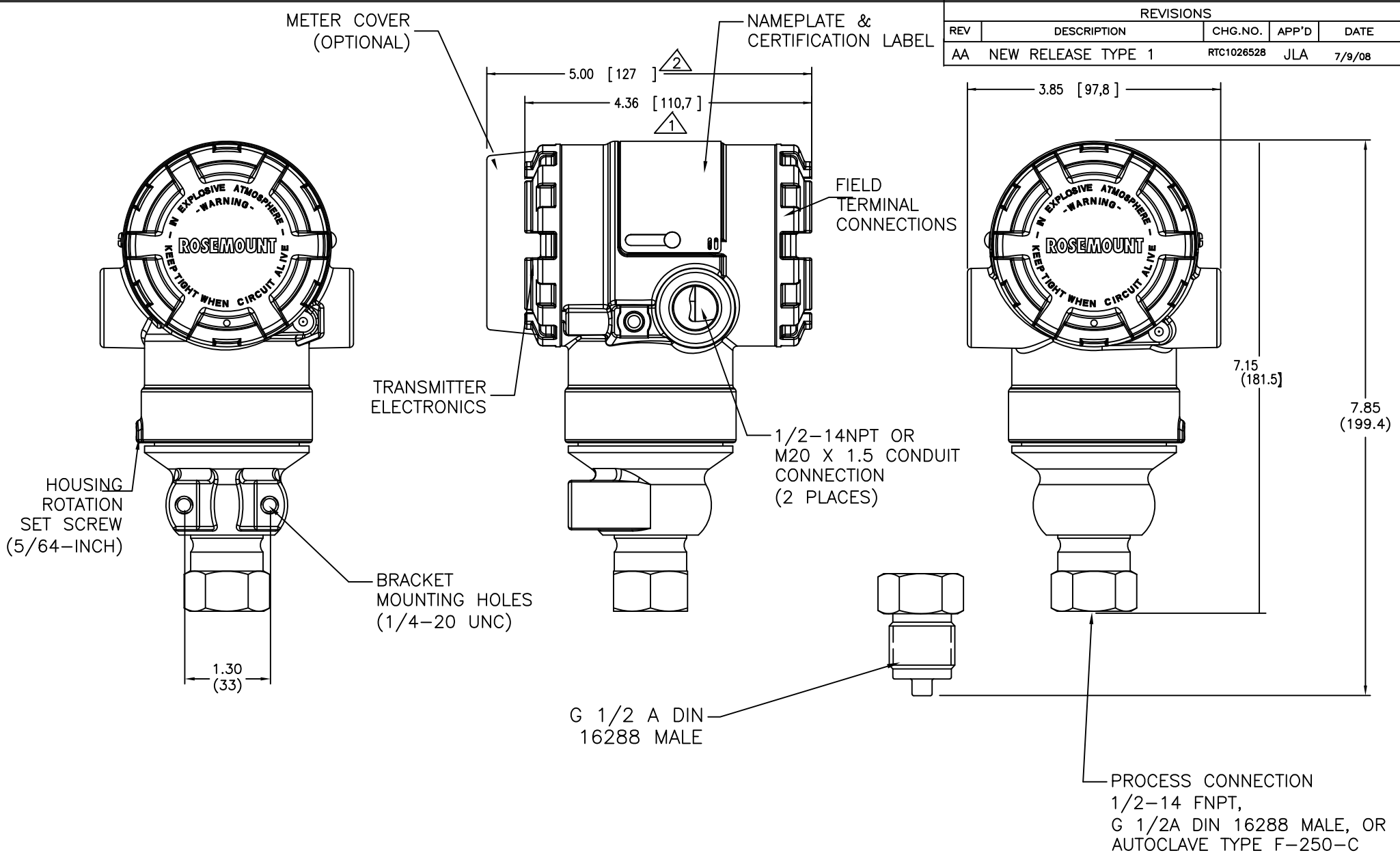


NOTES:

- ① 5.00(127) FOR 2051L FIELDBUS TRANSMITTERS
- ② 5.46(138,7) FOR 2051L FIELDBUS TRANSMITTERS WITH OPTIONAL LCD

Class	Pipe Size	Flange Thick "A"	Bolt Circle Diameter "B"	Outside Dia. "C"	No. of Bolts	Bolt Hole Diameter	Exten. Diam. D	O.D Gasket Surface. E	Process Side F	Lower Housing G	
										1/4 NPT	1/2 NPT
ASME B 16.5 (ANSI) 150	2 (61)	0.89 (22)	4.75 (121)	6.0 (152)	4	0.75 (19)	NA	3.6 (92)	2.12 (54)	0.97 (25)	1.31 (33)
	3 (76)	0.88 (22)	6.0 (152)	7.5 (191)	4	0.75 (19)	2.58 (66)	5.0 (127)	3.6 (91)	0.97 (25)	1.31 (33)
	4 (102)	0.88 (22)	7.5 (191)	9.0 (229)	8	0.75 (19)	3.5 (89)	6.2 (158)	3.6 (91)	0.97 (25)	1.31 (33)
ASME B 16.5 (ANSI) 300	2 (61)	0.82 (21)	5.0 (127)	6.5 (165)	8	0.75 (19)	NA	3.6 (92)	2.12 (54)	0.97 (25)	1.31 (33)
	3 (76)	1.06 (27)	6.62 (168)	8.25 (210)	8	0.88 (22)	2.58 (66)	5.0 (127)	3.6 (91)	0.97 (25)	1.31 (33)
	4 (102)	1.19 (30)	7.88 (200)	10.0 (254)	8	0.88 (22)	3.5 (89)	6.2 (158)	3.6 (91)	0.97 (25)	1.31 (33)
DIN PN 10-40	DN 50	20 mm	125 mm	165 mm	4	18 mm	NA	4.0 (102)	2.4 (61)	0.97 (25)	1.31 (33)
DIN PN 25/40	DN 80	30 mm	160 mm	200 mm	8	18 mm	65 mm	5.4 (138)	3.6 (91)	0.97 (25)	1.31 (33)
	DN 100	30 mm	190 mm	235 mm	8	22 mm	88 mm	6.2 (158)	3.6 (91)	0.97 (25)	1.31 (33)
DIN PN 10/16	DN 100	26 mm	180 mm	220 mm	8	18 mm	88 mm	6.2 (158)	4.5 (114)	0.97 (25)	1.31 (33)

<p>*UNLESS OTHERWISE SPECIFIED DIMENSIONS IN INCHES (MM)</p> <p>*ALL DIMENSIONS ARE NOMINAL AND ARE FOR REFERENCE ONLY</p>	TYPE I		ROSEMOUNT® CHANHASSEN, MINNESOTA		
	DR. JOHN ARMSTRONG	7/9/08	TITLE		
	APPROVAL		DIMENSIONAL DRAWING FOR 2051L LIQUID LEVEL TRANSMITTER		
	APP. n haywood		SIZE	DRAWING NO. 02051-7712	
	TAGGING		A		
	SPECIALS		SCALE: NONE	SHEET 1 OF 1	



NOTES:

1 5.00 (127) FOR 2051T FIELDBUS TRANSMITTERS

2 5.46 (138,7) FOR 2051T FIELDBUS TRANSMITTERS WITH OPTIONAL LCD

*UNLESS OTHERWISE SPECIFIED DIMENSIONS IN INCHES (MM)		TYPE I		ROSEMOUNT CHANHASSEN, MINNESOTA	
*ALL DIMENSIONS ARE NOMINAL AND ARE FOR REFERENCE ONLY		DR. JOHN ARMSTRONG	6/25/08	TITLE	
		APPROVAL		DIMENSIONAL DRAWING FOR 2051T PRESSURE TRANSMITTER	
		DWG N. HAYWOOD		SIZE	DRAWING NO.
		TAGGING		A	02051-7711
		SPECIALS		SCALE:NONE	